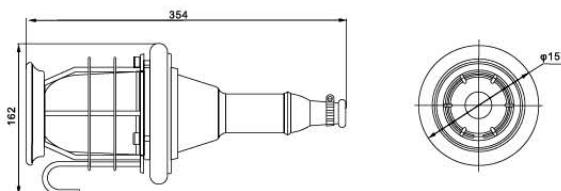


CFS1 防爆手提灯

EXPLOSION-PROOF PORTABLE LIGHT

国际代码 International Code:792171-792174



产品特点

- 1、手柄采用优质橡胶模压成型，优质钢化玻璃灯罩，带防护网罩；
- 2、灯体采用密封结构，具有较高的防水性能和防腐性能，适合船舶检修或装卸物等临时工作场地照明；
- 3、符合《钢质海船入级规范》和国家标准 GB3836-2000 标准，GB12045，En50014，En50018，En60079。
- 4、防爆合格证编号：CLEX20.9560

Products characteristic

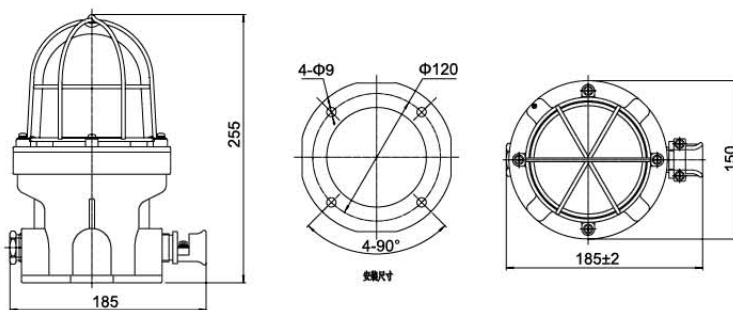
1. The handle adopts good quality rubber, good quality toughened glass lampshade with guard.
2. The lamp body adopts seal structure, has high waterproof performance and anticorrosive performance, fit for illuminating temporary work place used for checking and repairing ship or loading or unloading goods.
3. Conform to 《GRADE ENTRY NORMS FOR STEEL SHIPS》, and Nationalstandard GB3836-2000, GB12045, En50014, En50018, En60079.
4. Explosion proof certificate number: CLEX20.9560

规格 Specifications

代号 Model	型号 Type	防爆标志 Explosion-proof mark	电压 Voltage	功率 Power	光源 Illuminant	灯座 Lamp holder	防护等级 Protection class	电缆外径 Cable outside diameter	重量 Weight
3233	CFS1	Exd IIAT2	220V 24V	60W	白炽灯 Incandescent	E27	IP56	Φ8-Φ10	2.7kg

白炽防爆灯

INCANDESCENT EXPLOSION-PROOF LIGHT



产品特点

- 1、壳体采用优质铸铝模压成型，优质钢化玻璃灯罩，带防护网罩；
- 2、灯体采用密封结构，具有较高的防水性能和防腐性能；
- 3、符合《钢质海船入级规范》和国家标准 GB3836-2000 标准，GB12045。
- 4、经 ATEX-B 认证，认证编号 TAZJ23091450681。

Products characteristic

1. The shell adopts good quality cast aluminum, good quality toughened glass lampshade with guard..
2. The lamp body adopts seal structure, has high waterproof performance and anticorrosive performance.
3. Conform to 《GRADE ENTRY NORMS FOR STEEL SHIPS》, and National standard GB3836-2000, GB12045.
4. Approval by ATEX-B, certificate number TAZJ23091450681.

规格 Specifications

型号 Type	防爆标志 Explosion-proof mark	电压 Voltage	功率 Power	光源 Illuminant	灯座 Lamp holder	防护等级 Protection class	电缆外径 Cable outside diameter	重量 Weight
CFD1	Exd II CT4	220V	≤ 100W	白炽灯 Incandescent	E27	IP66	Φ11-Φ13	2.9kg